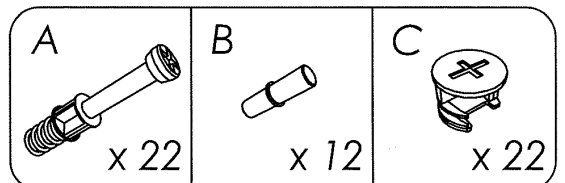
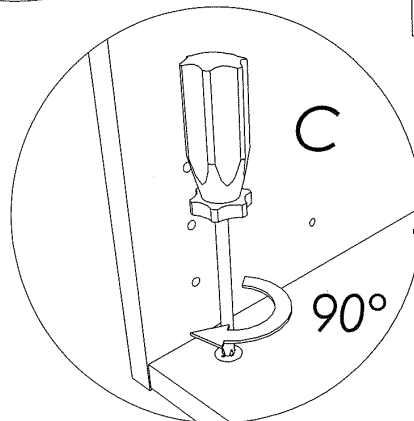
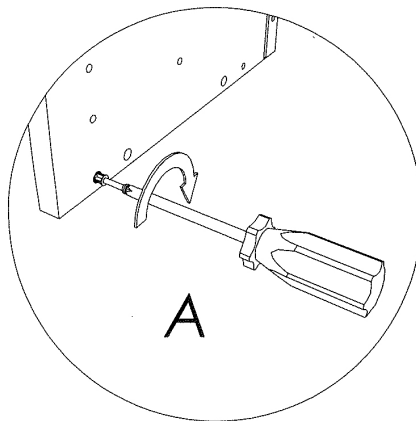
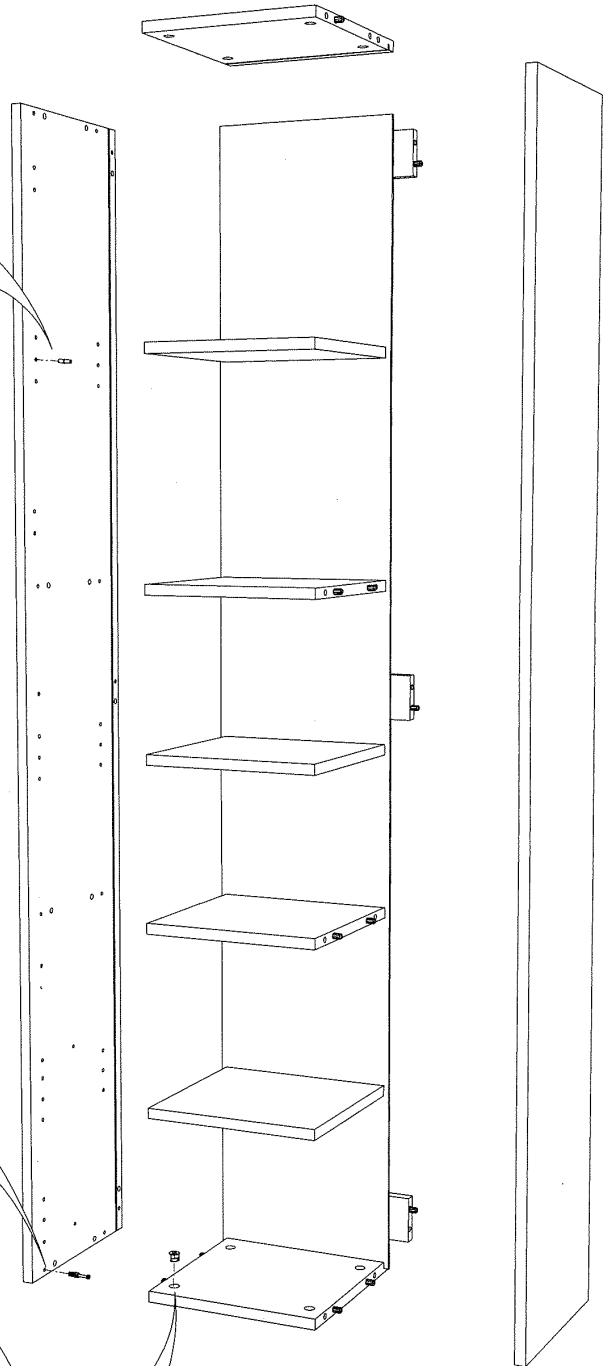
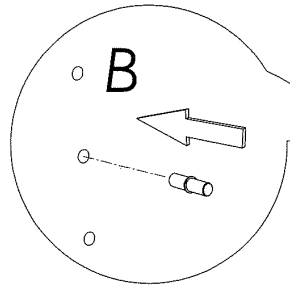
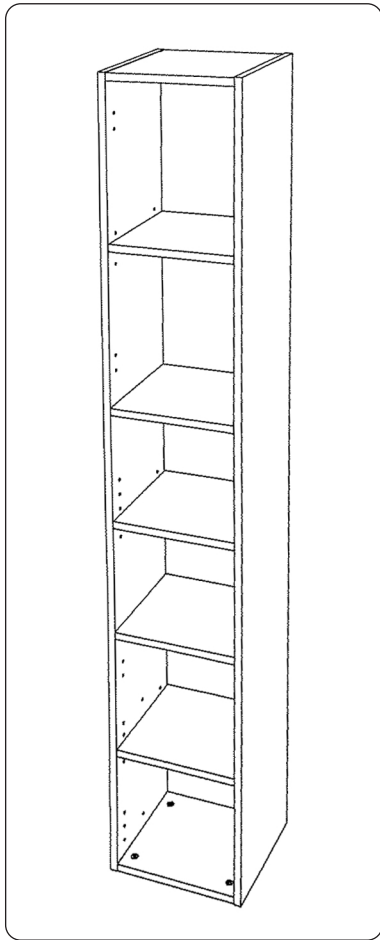


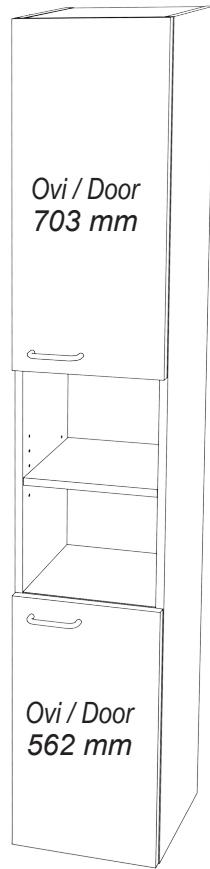
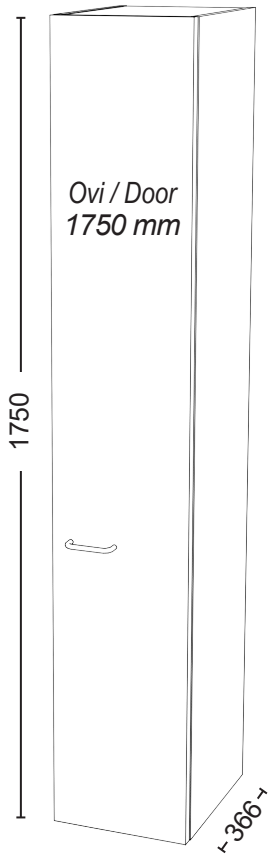
WTR30KKV
WTR40KKV

KPH-KOMEROKAAPPI 1750 mm
CLOSET CABINET 1750 mm



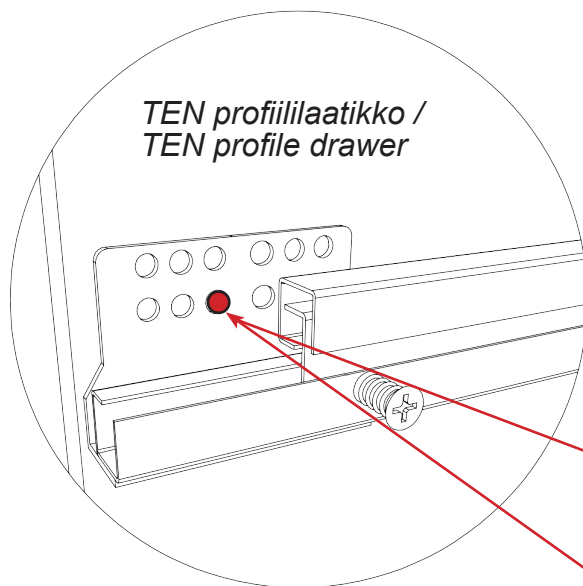
WTR30KKV
WTR40KKV

TEN KPH-KOMEROKAAPPI 1750 mm
TEN CLOSET CABINET 1750 mm



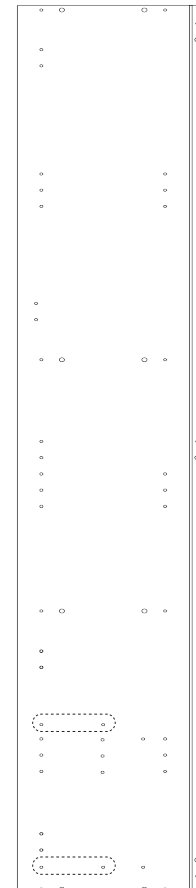
Poraus TEN laatikoille / Drillings
for TEN drawers:

Poraus/Drilling
4.4 KPH TEN KORKEA 3 POR



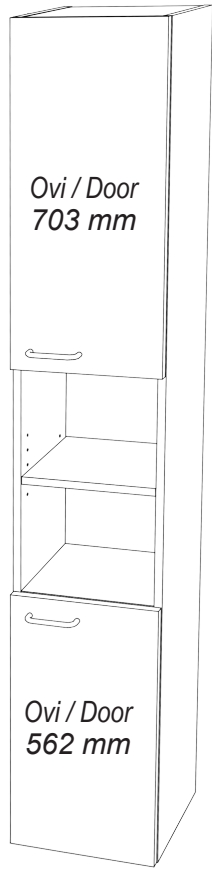
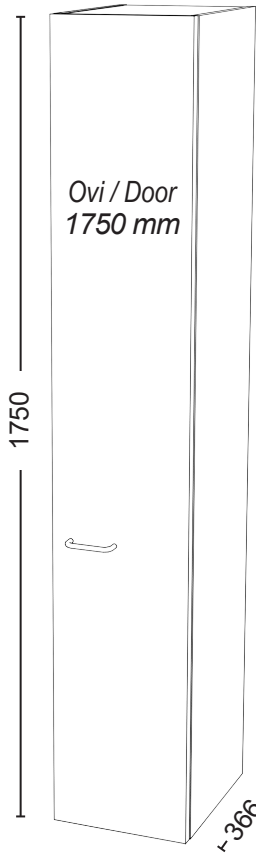
7

1



WTR30KKV
WTR40KKV

TEN2 KPH-KOMEROKAAPPI 1750 mm
TEN2 CLOSET CABINET 1750 mm



Porauset TEN2 laatikoille / Drillings for TEN2 drawers:

Poraus/Drilling
5.9 KPH TEN2 KORK. YLÄ LTK

Poraus/Drilling
5.10 KPH TEN2 KORK. ALA LTK

