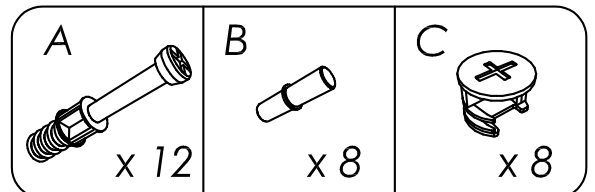
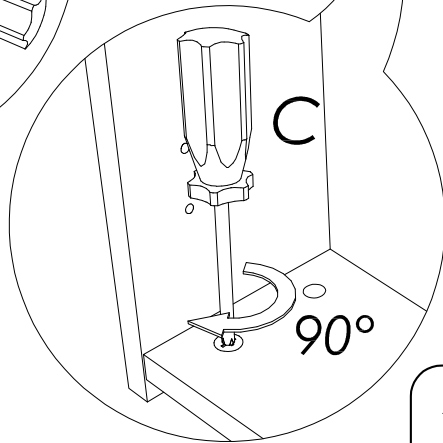
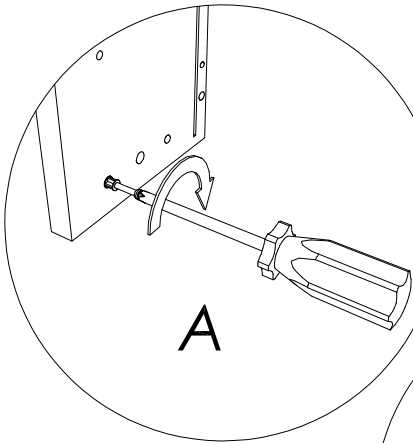
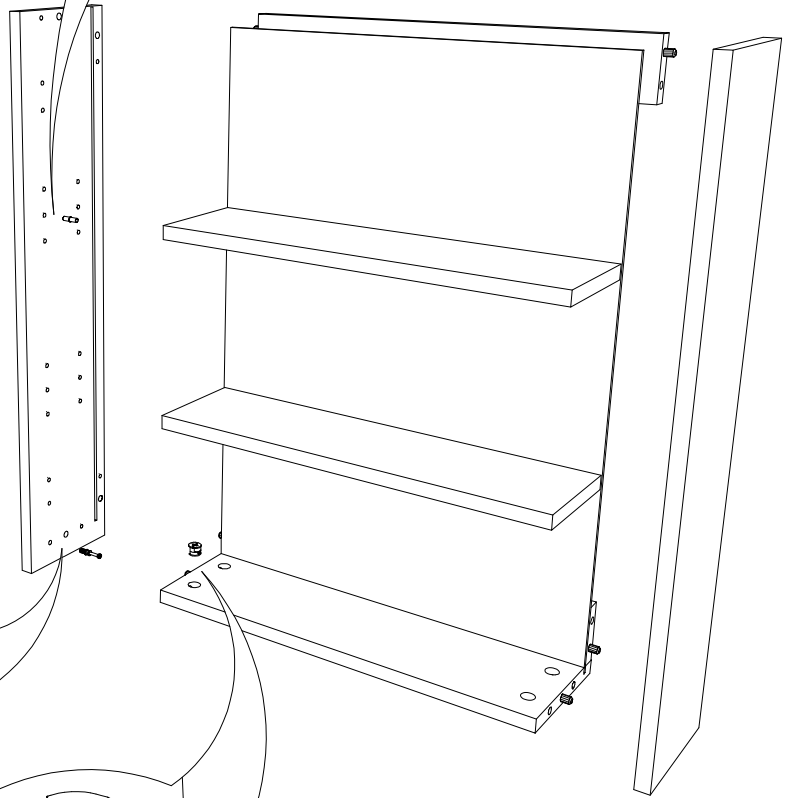
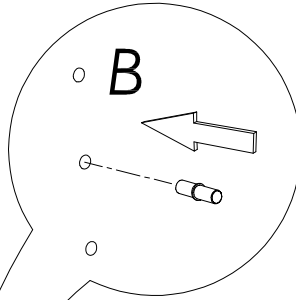
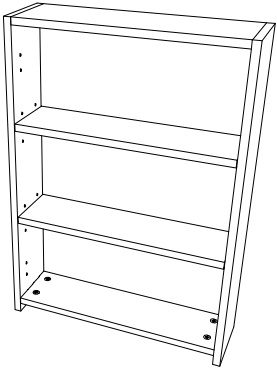


WSK..V

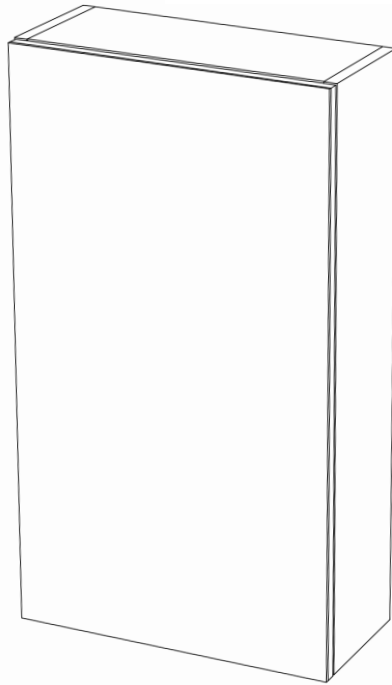
PEILIOVIKAAPPI / WALL CABINET



WSK..V

PEILIOVIKAAPPI / WALL CABINET

*WSK30-50V*



*WSK60-80V*

