

---

---

The logo for 'Stella' is written in a black, elegant cursive font. Below the 'e' in 'Stella' is a red decorative element consisting of four small circles arranged in a square pattern.

Stella  
POCKET DOOR

ASSEMBLY  
INSTRUCTIONS

- RAIL
  - DOOR
  - JAMBS
  - LOCK
- 
-



1

ATTACH THE RAIL TO THE FRAME



2

ATTACH THE RAIL TO THE FRAME FROM THE HOLES (3-5 SCREWS DEPENDING OF THE WIDTH).



LOWER GUIDE



LOWER GUIDE 16 MM FOR STANDARD FLAT DOORS INCLUDED

FOR ALUMINIUM FRAME AND GLASS DOOR THE LOWER GUIDE MUST BE REPLACED



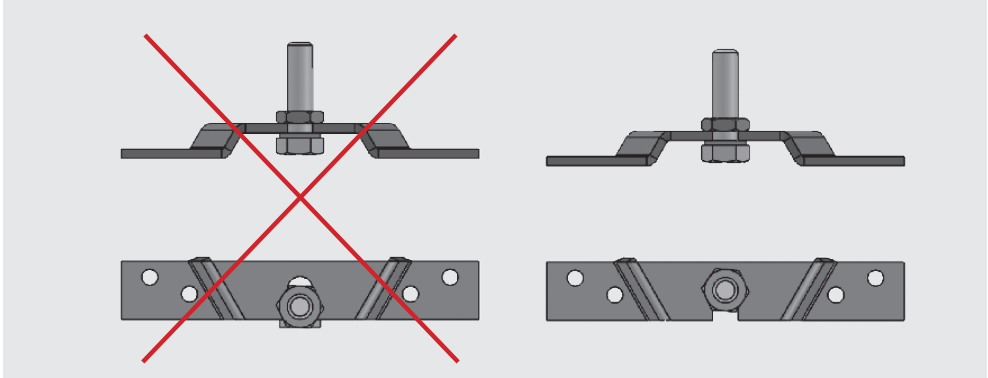
ALUMINIUM FRAME DOOR GUIDE (REAR HOLES)



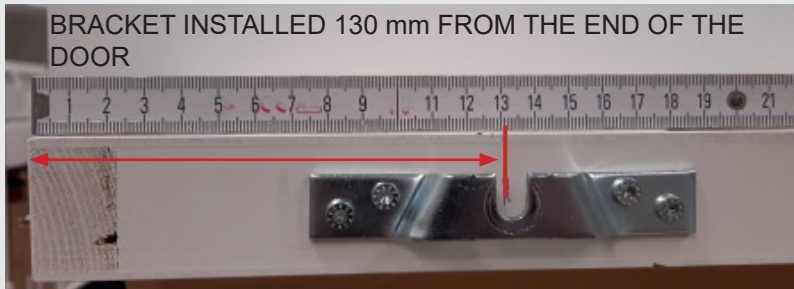
GLASS DOOR GUIDE (FRONT HOLES)



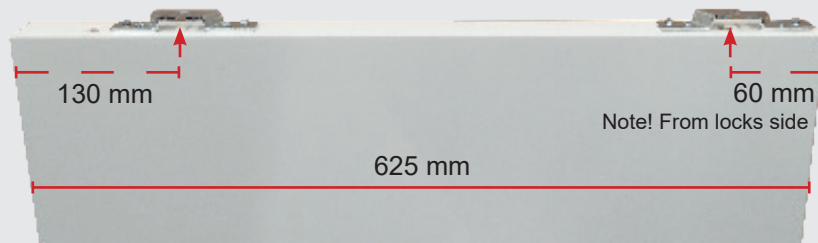
## DOOR BRACKET



DOOR WIDTH: 725, 825, 925, 1025, 1125, 1225 mm



DOOR WIDTH: 625 mm NOTE! Exception on 625 mm wide doors



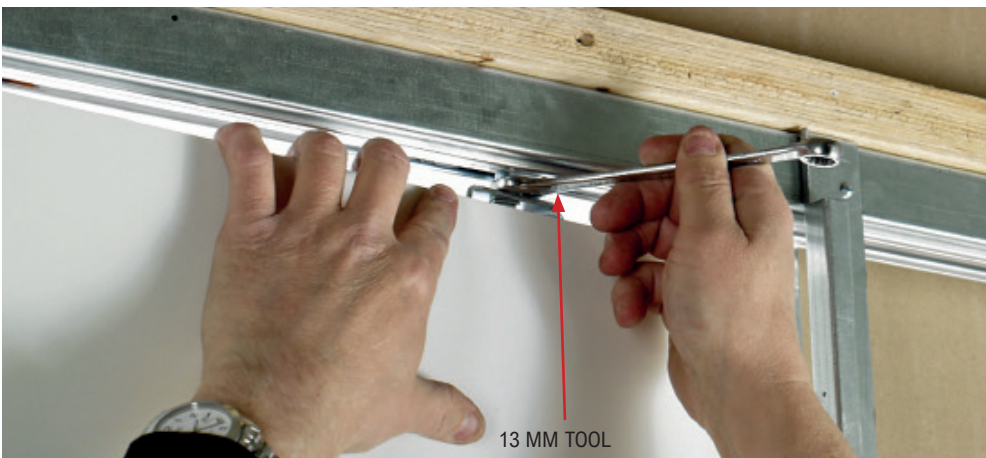
3

Install the door. Note! Fasten the plasterboards before installing the door with special plasterboard screws (included in delivery)



4

Insert the bracket bolt in to bottom of the hanger bracket to center the door in right position. Adjust the door height and lock.





5

Adjust the stopping point of the door. While the door is open.

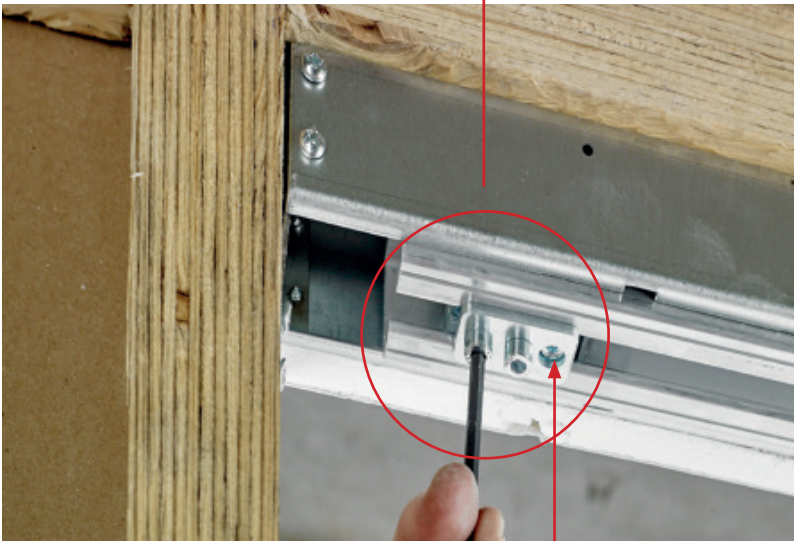
2 MM HEX KEY



6

Note! Top rail with out soft-close. Adjust the doors stopping point while the door is closed.

STOPPER ISN'T NEEDED IF THERE IS A SOFT-CLOSE MECHANISM



ADJUSTMENT OF THE CLOSING STRENGTH

Upper rail with soft-closer



ADJUSTING AND LOCKING OF THE PIN OF THE SOFT-CLOSE MECHANISM



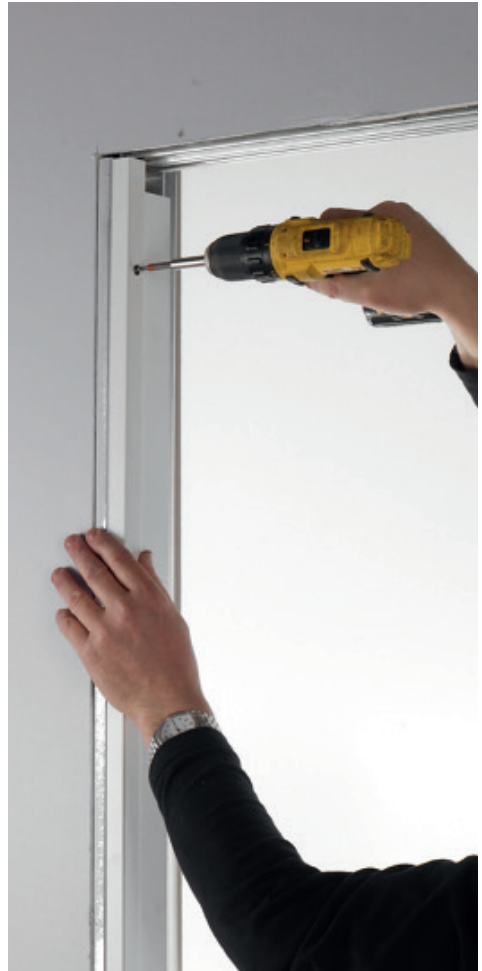
## JAMBS INSTALLATION (NOT INCLUDED)

7

Install the door jambs (2pcs)

8

Fasten from the pre-drilled holes (3 pcs).





9

Place the counter jamb on it's place and fasten it (3 screws)





10

Cut the upper horizontal jambs to the correct size and insert them in place (2 pcs)



11

Lock the upper horizontal jambs with mounting screws if necessary.



12

Finally, install the door frame jambs  
(not included in the delivery)





13

Installing the lock and it's counter piece (optional)







**1A.** When the door is adjusted, take a measure from the top rail to the top edge of the locks tongue.



**1B.** Note! Measure is indicative, depends on the final door height adjustments.



2. From the upper rail, measure the location of the hole for the locks tongue to be made in the counter jamb.



3. Drill counter jamb with 3x10 mm holes (min. depth 16 mm)



4. Finally remove excess material



5. Install the counter part to the hole.

---

---

# Stella



## POCKET DOOR

Sales:  
Hitsaajankatu 24, 00810 Helsinki  
puh. +358 (0)9 755 131

Orders:  
tilaukset@carlocasagrande.fi  
www.carlocasagrande.fi

Stock:  
Lapinjärventie 77  
07800 Lapinjärvi