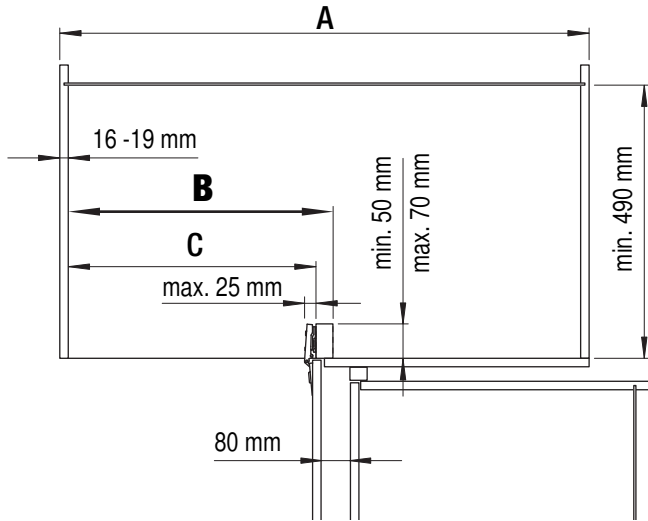




09 / 2013

SLIDE CORNER

Cabinet dimensions



	A (min)	B	C
400	800	400	min. 361
450	900	450	min. 411
500	1000	500	min. 461
550	1000	550	min. 511
600	1000	600	min. 561

Measurements in mm

Cabinet dimensions

External width: 800 / 900 / 1000 / 1200 mm

Internal depth: min. 490 mm

Internal height: min. 500 mm

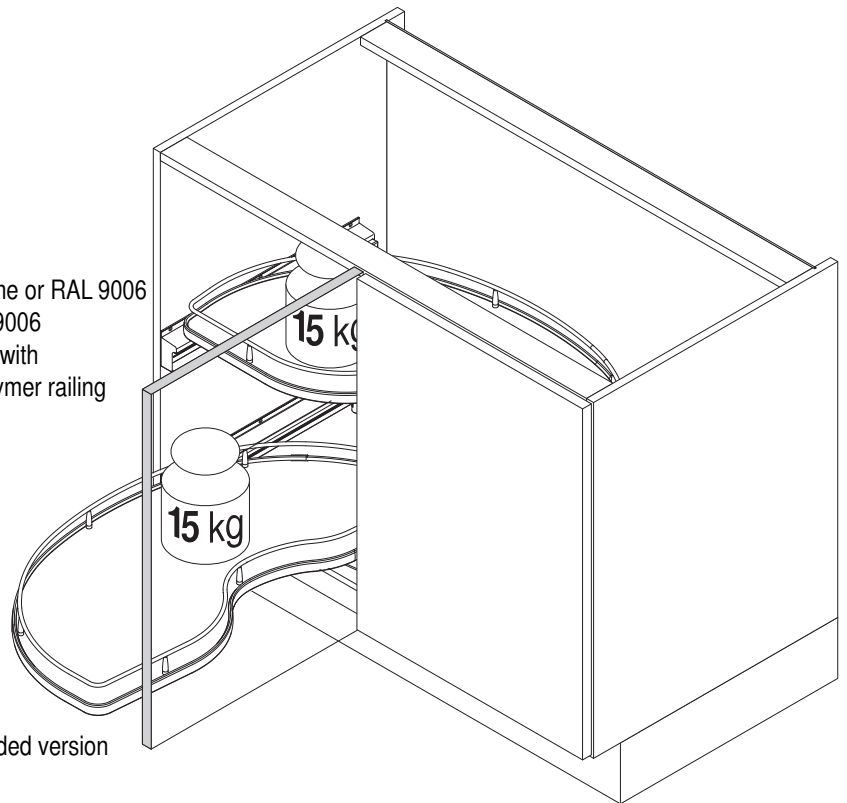
Load capacity: 15 kg per shelf

Shelf edge variants:

Rail: wire railing and edge in chrome or RAL 9006

Basic: high edge in chrome or RAL 9006

Smart: edge in chrome or RAL 9006 with translucent and semirigid polymer railing



Left handed version

