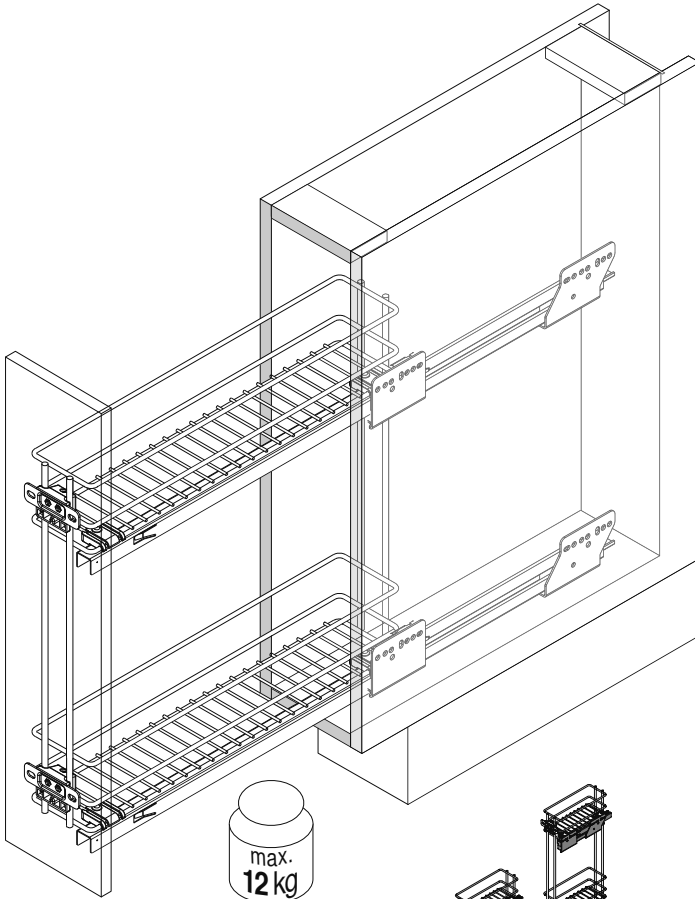


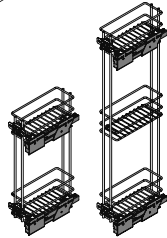


05 / 2016

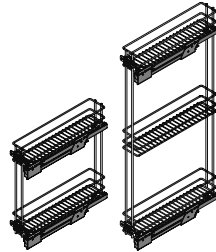
ECO Pull-out K 150 K 200



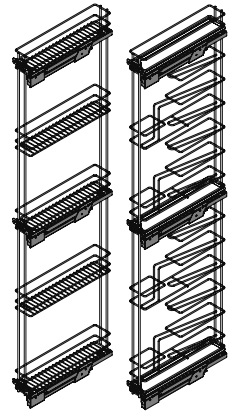
max.
12 kg



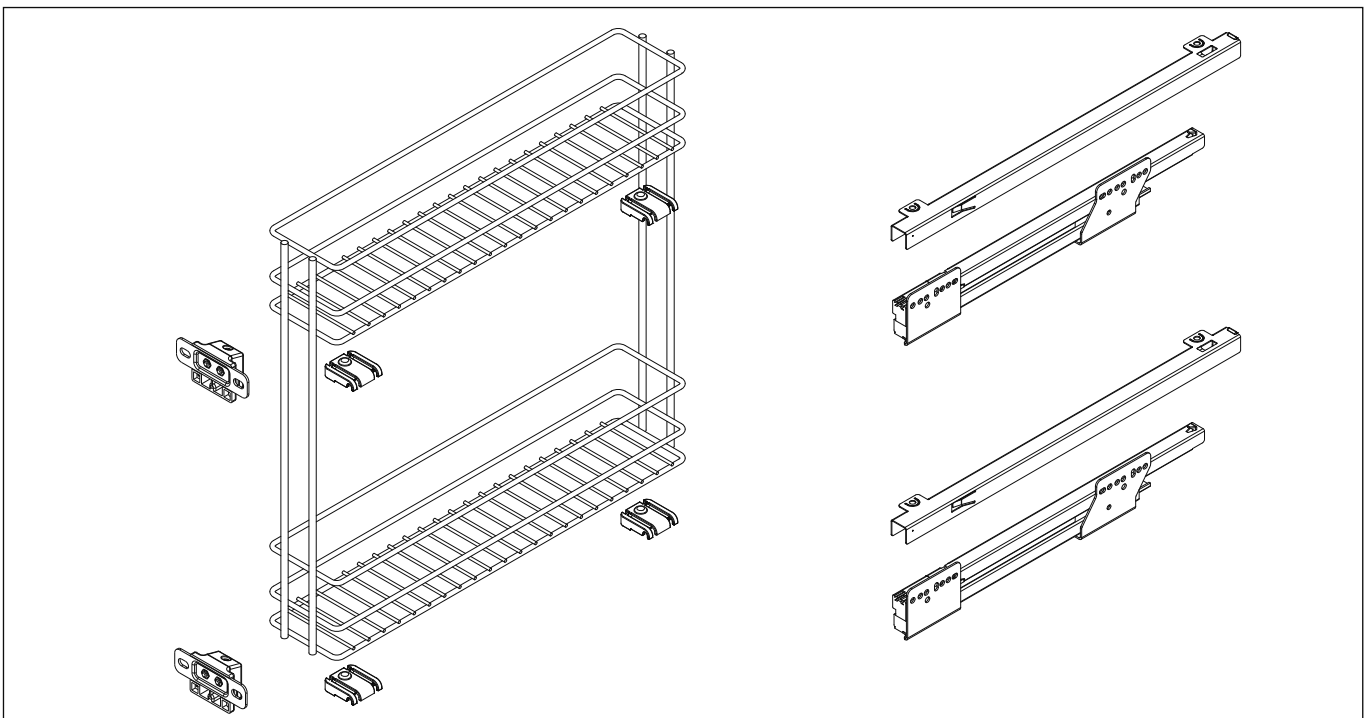
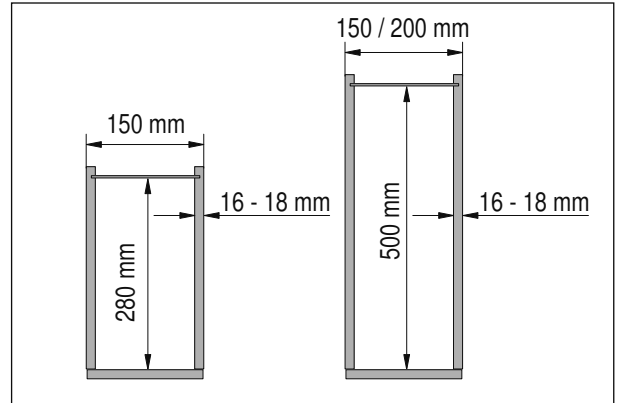
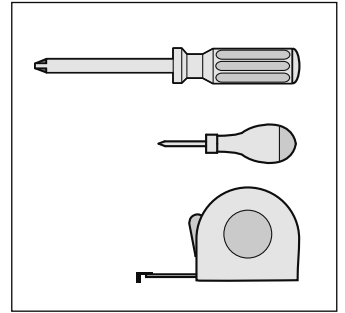
max.
10 kg



max.
12 kg

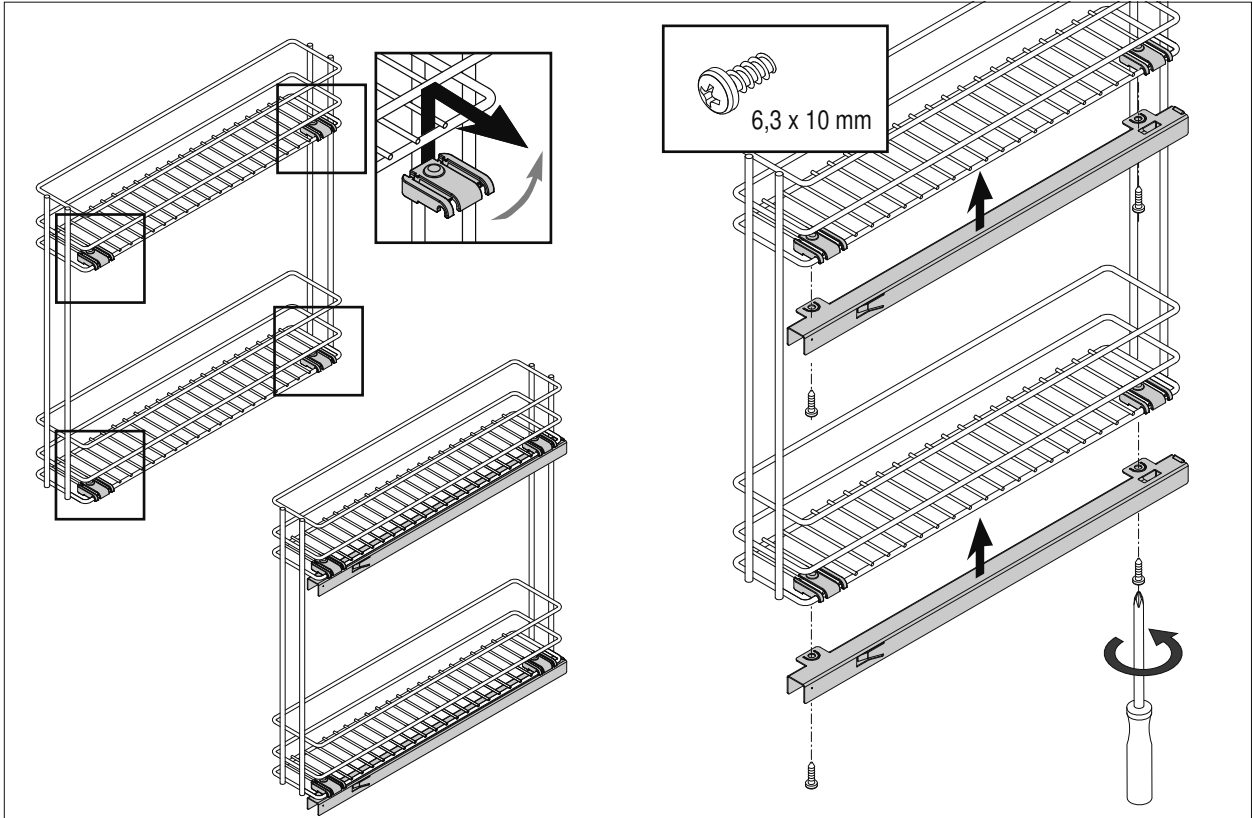


max.
25 kg

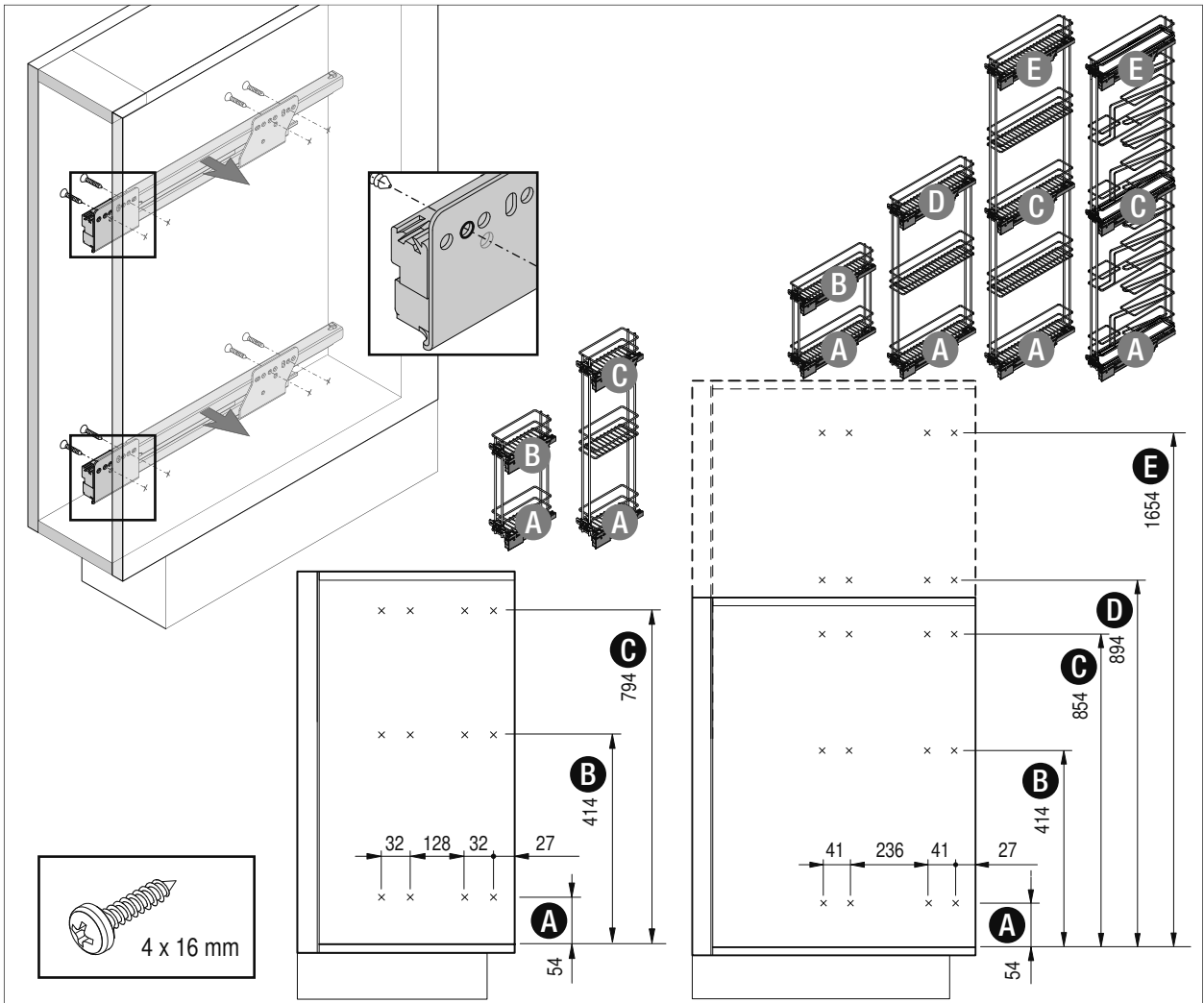




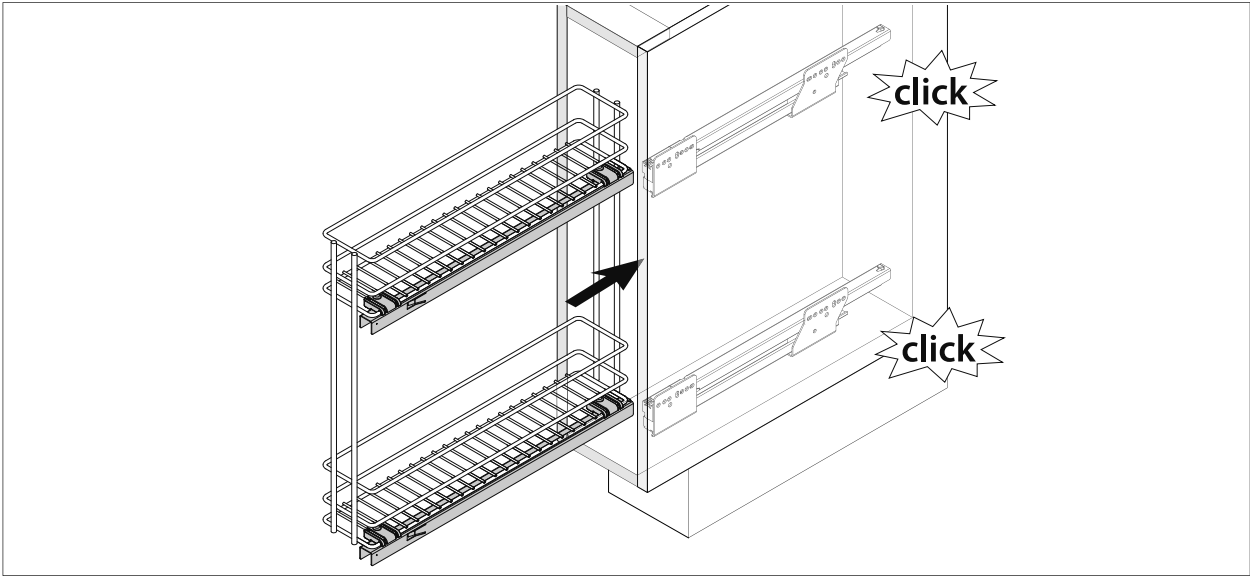
1



2



3



4

Diagram 4 illustrates the installation and dimensions of the pull-out system. It shows a side view of the cabinet with mounting brackets being secured with screws. A top view shows the basket's layout with labels A through E. A detailed dimension diagram shows the cabinet's internal structure with various measurements and a table for model specifications.

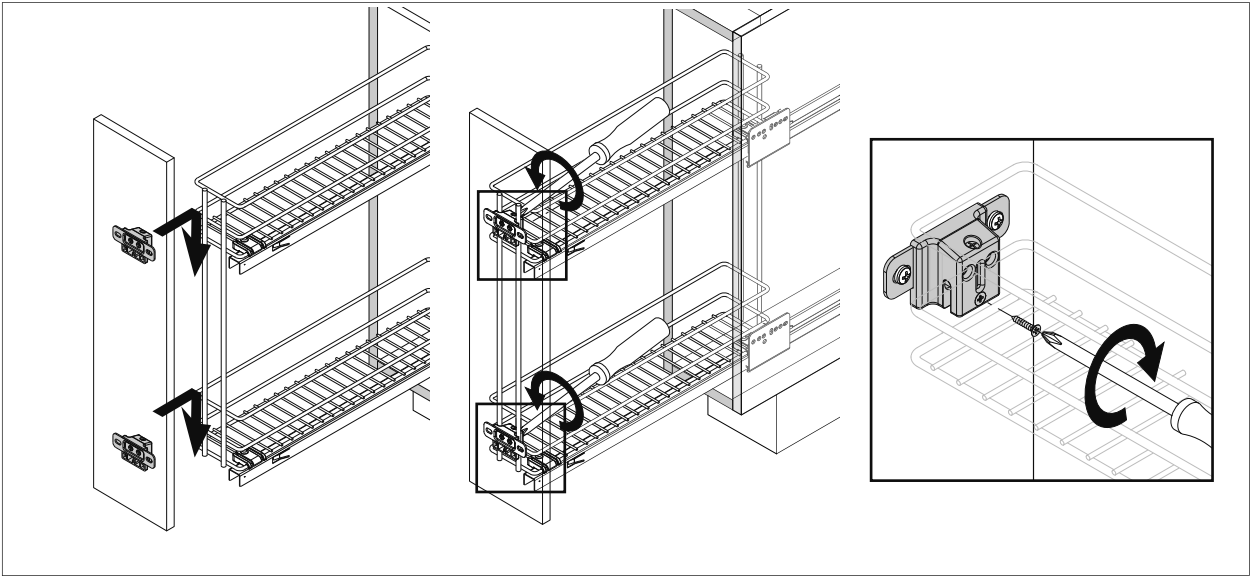
	K150	K200
Y	25	50

Dimensions shown in the diagram include:

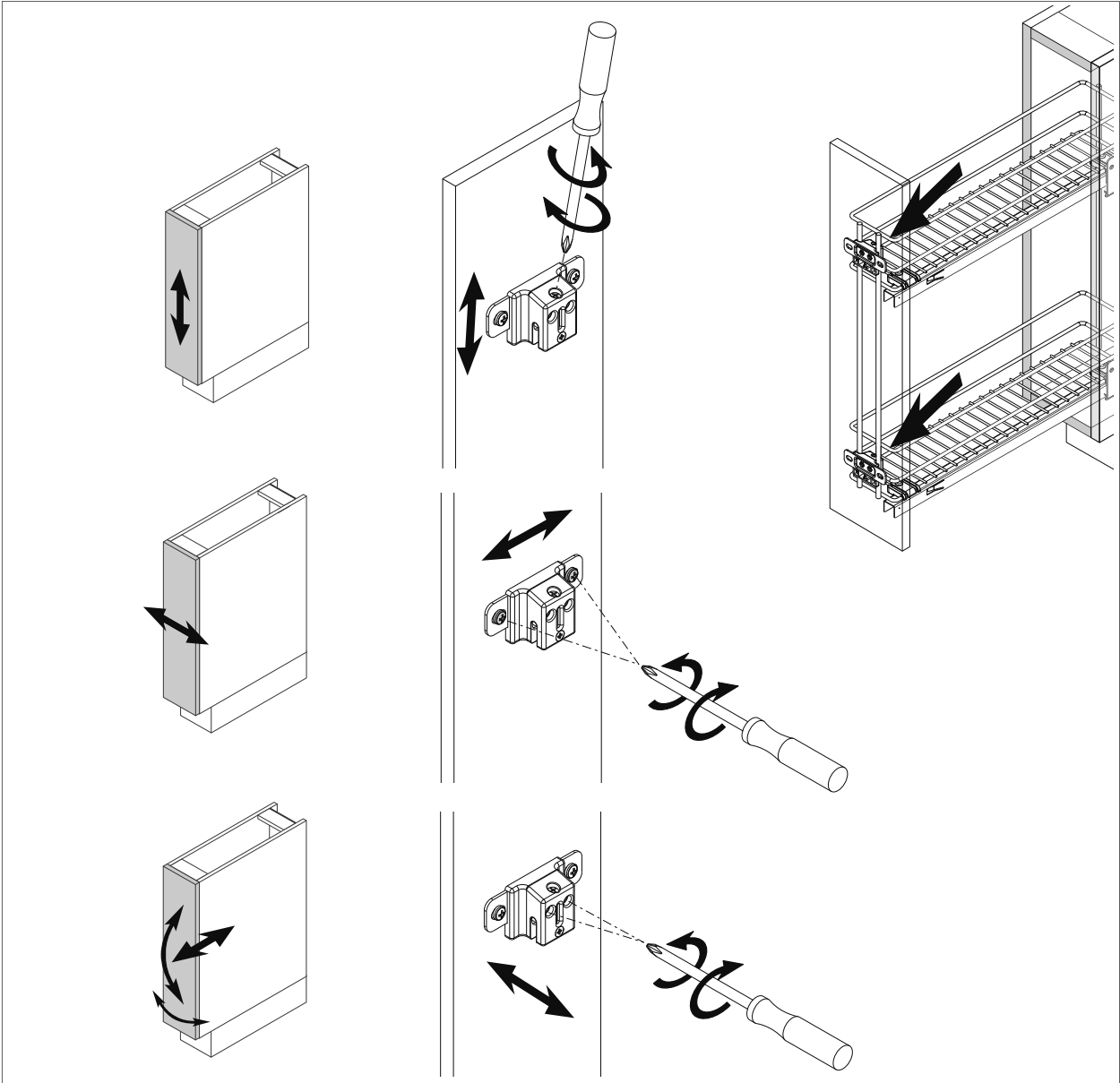
- A**: 97
- B**: 457
- C**: 837
- D**: 937
- E**: 1697
- G**: 897
- Y**: 25 (for K150) or 50 (for K200)
- X**: Variable width dimension



5



6



Vauth-Sagel

Neue Straße 27 | D-33034 Brakel-Erkeln | Fon: +49 5272 601-01 | Fax: +49 5272 601-193 | www.vauth-sagel.de