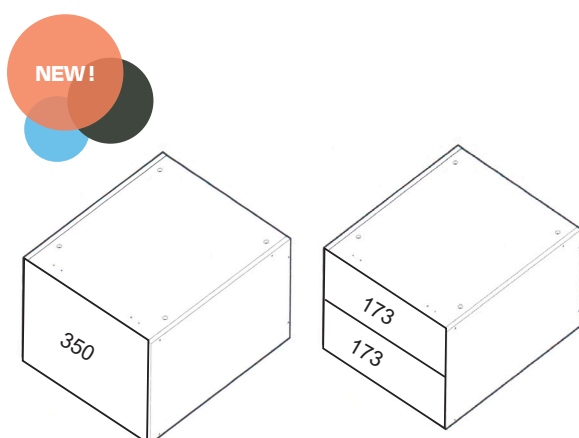


CUSTOMER INFORMATION

CHANGES IN OUR KITCHEN FURNITURES

22/03/2024

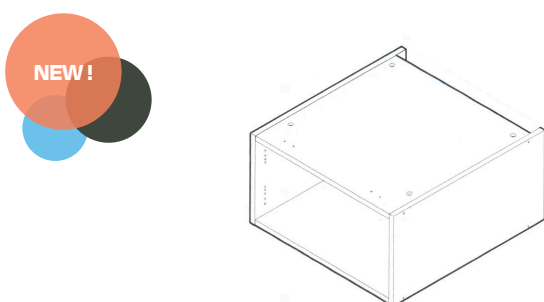
NEW IN OUR KITCHEN FURNITURES



Upper cabinets h. 352 mm, d. 560 mm

- Possibility for plinth legs attachment on the bottom of the cabinets. Can be used as a lower cabinet.
- Drilling for side-hinged door is 55 mm from the ends.
- Also drawers:
 - Ten2 high 350 mm front set
 - Ten2 low 2 x 173 mm front sets

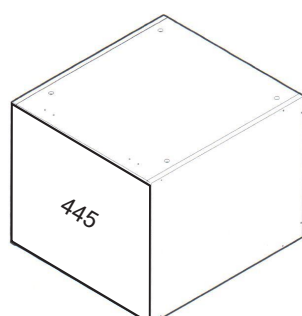
Code	Description	Pg
KYMM03	UPPER CABINET 352*300*560	3066
KYMM04	UPPER CABINET 352*400*560	3066
KYMM05	UPPER CABINET 352*500*560	3066
KYMM06	UPPER CABINET 352*600*560	3066
KYMM08	UPPER CABINET 352*800*560	3066
KYMM10	UPPER CABINET 352*1000*560	3066



Upper cabinet with air circulation h. 280 mm, d. 560 mm

- For installation on top of the KK6UM cabinet.
- Continuous air circulation to 2362 height.
- COMING TO STOCK IN APRIL.

Code	Description	Pg
KYM6UM	UPPER MACHINE CABINET 280*600*560	3068



Upper cabinets h. 450 mm, d. 560 mm

- Added drawer rail drillings for Ten2 drawers. Front set 445 mm.
- Added drilling for Ten2 basket. Front set 445 mm.
- Updated KY cabinet version will come to sale once old stock has been used.