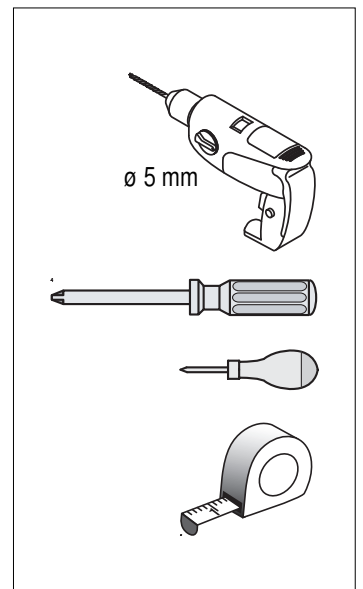
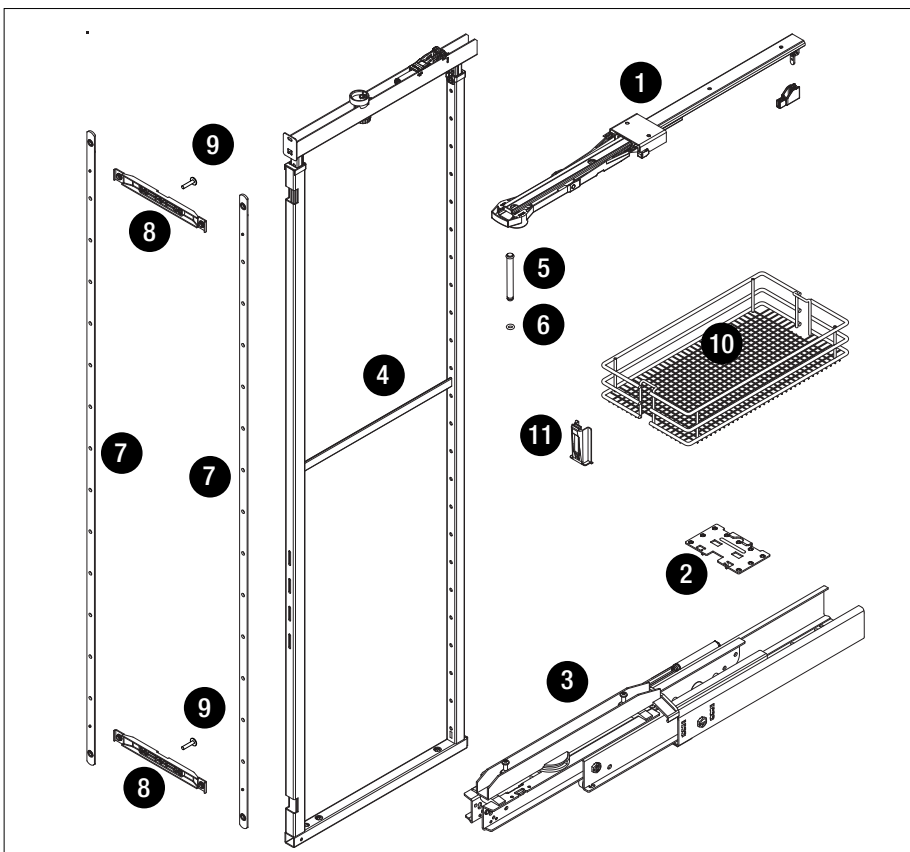
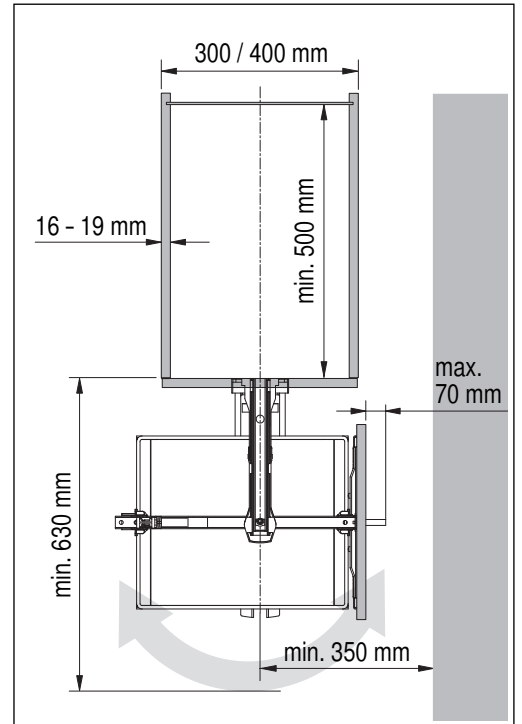
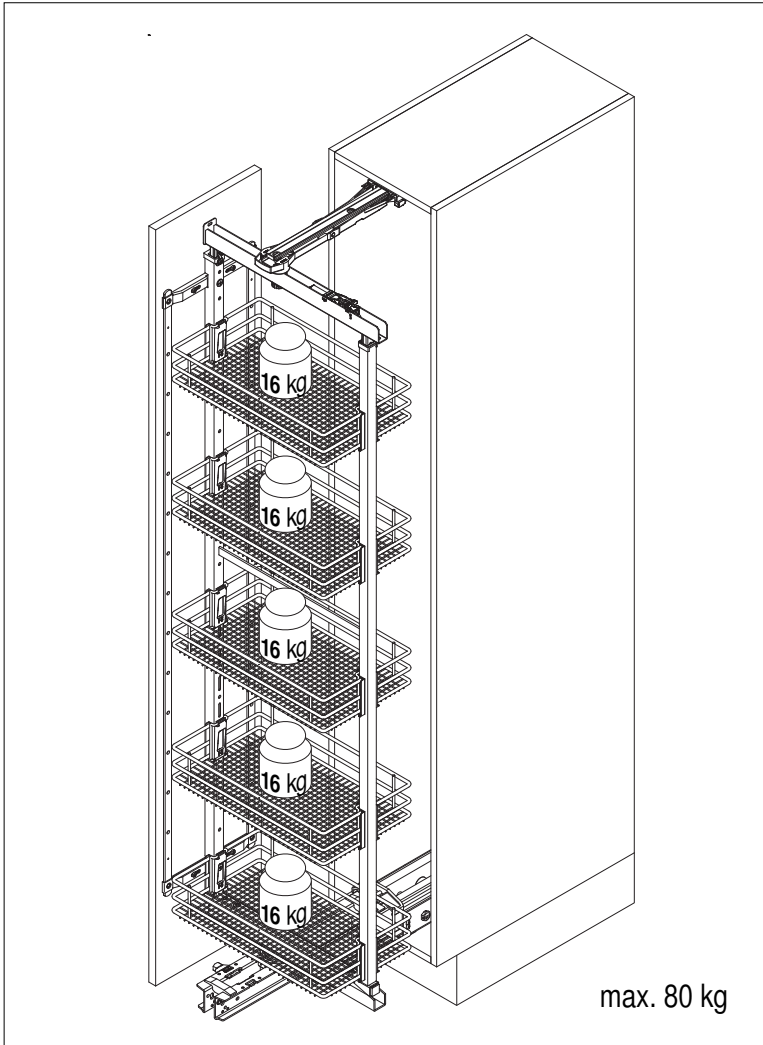


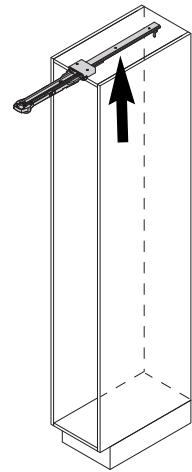
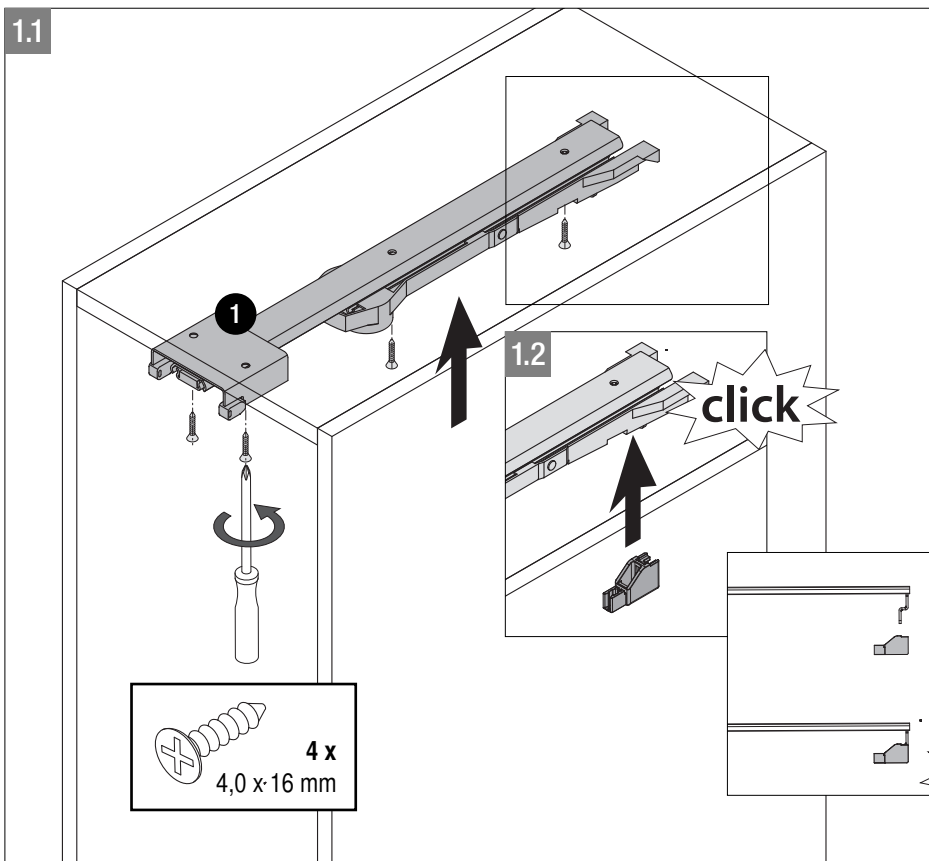
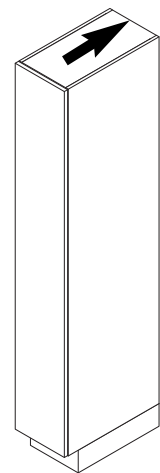
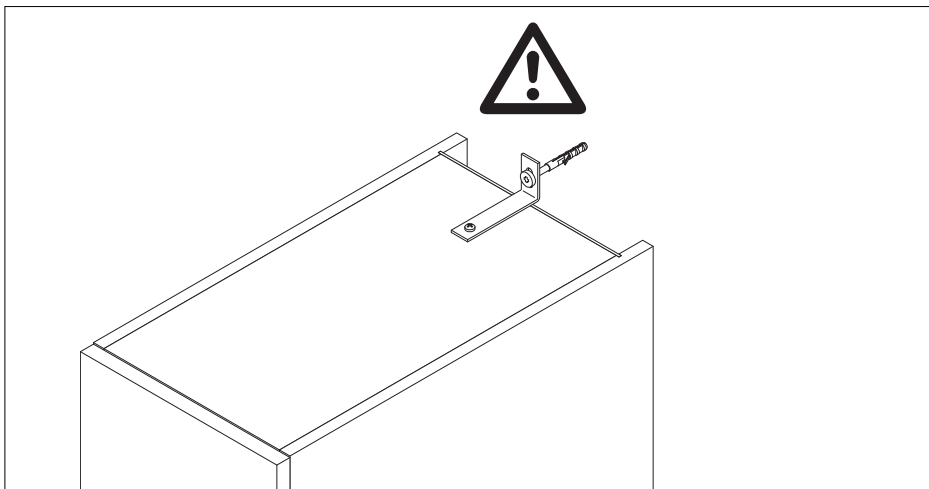
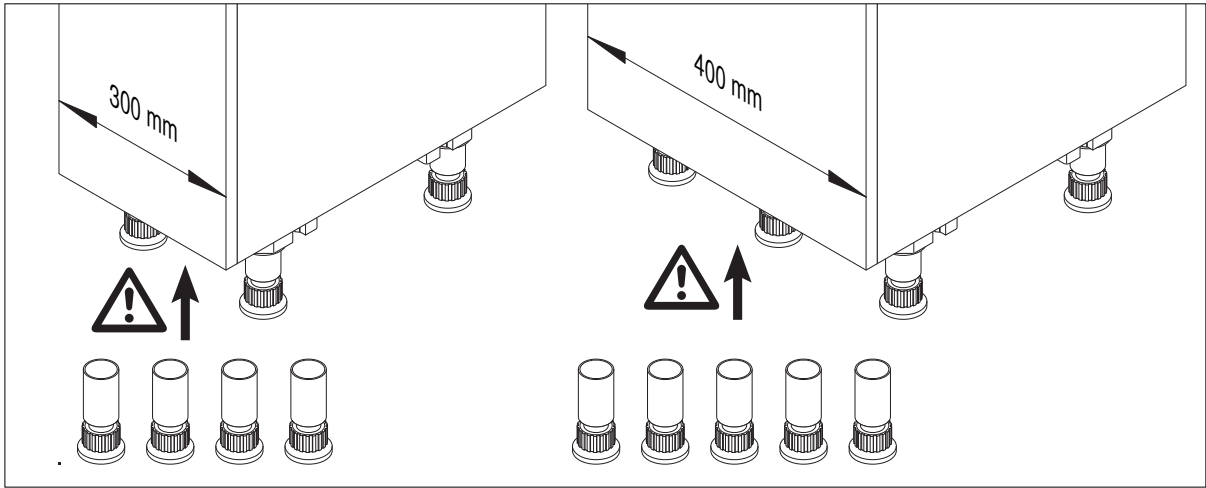


03 / 2015

HSA rotary



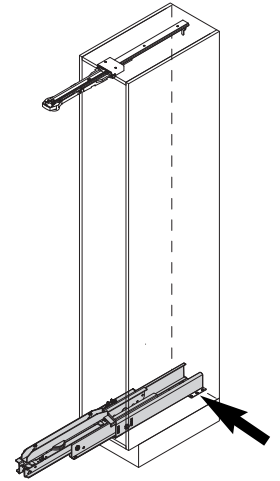
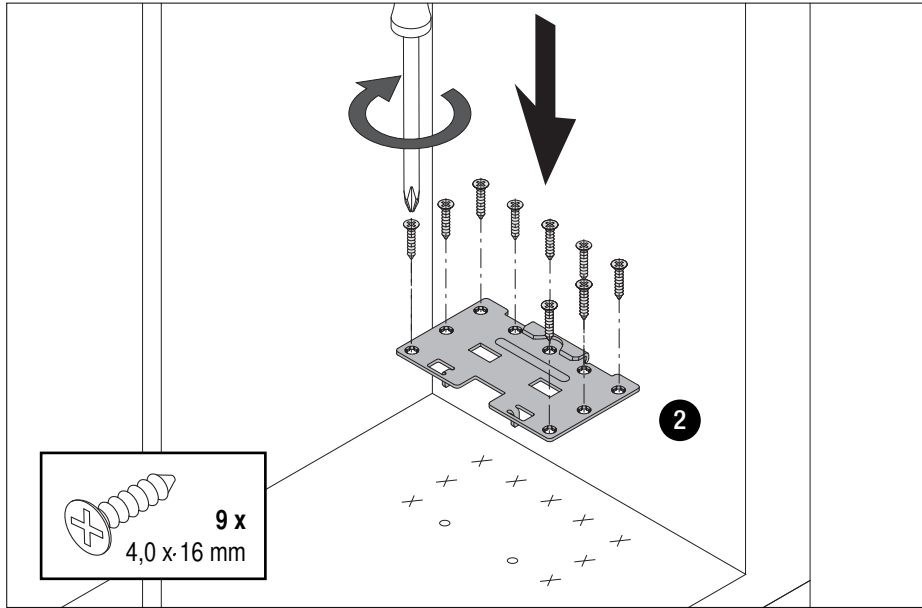
44007768_02



2



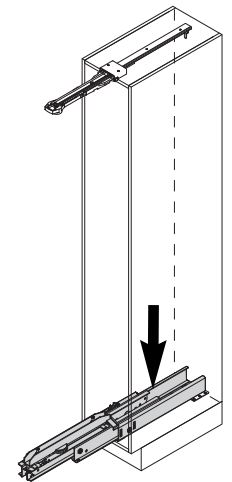
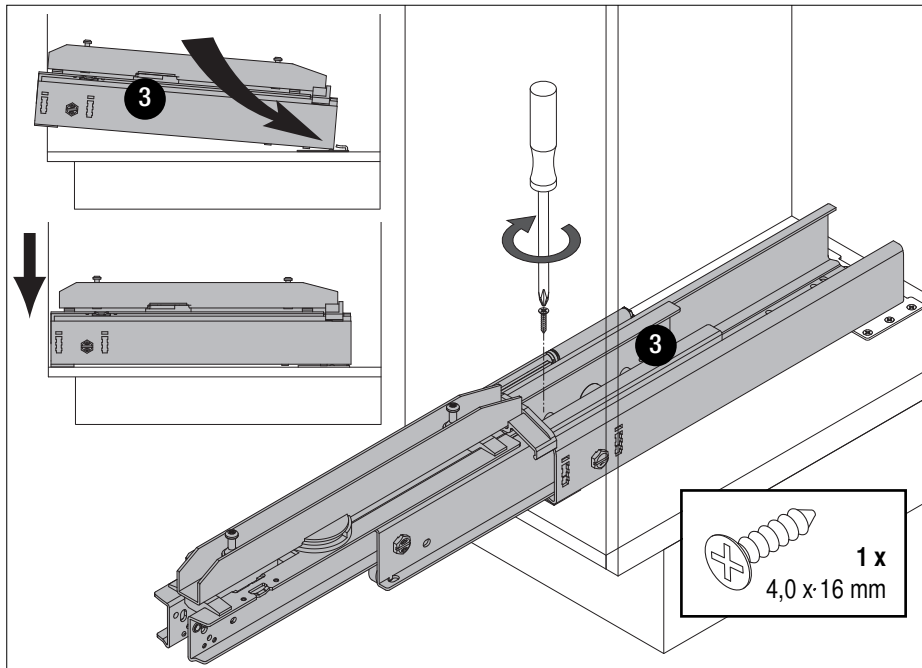
B



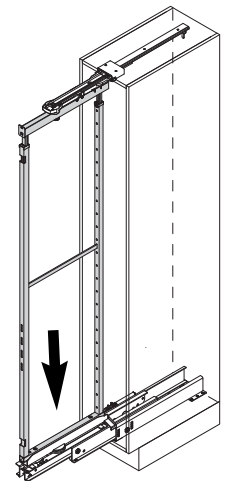
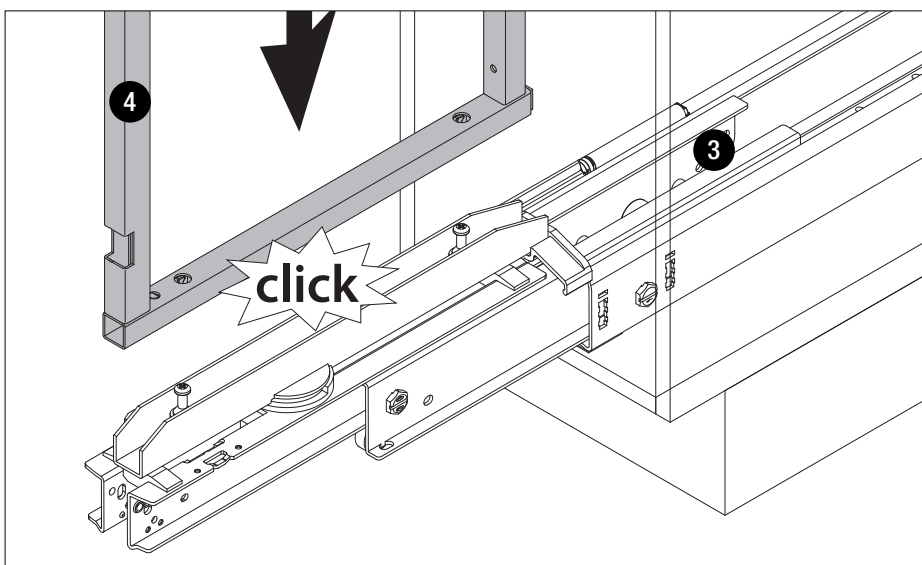
3



B

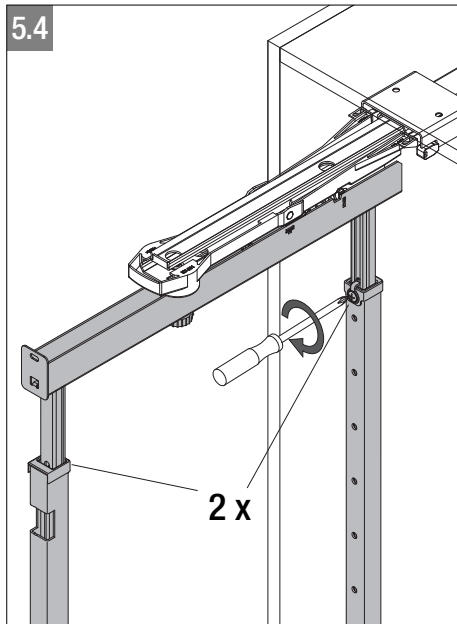
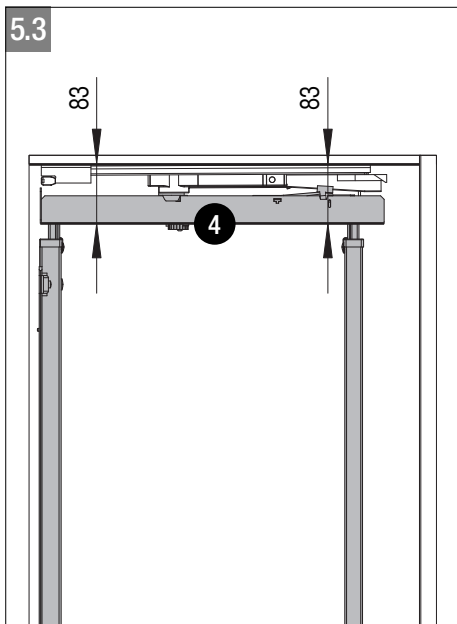
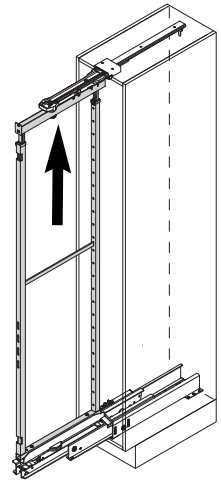
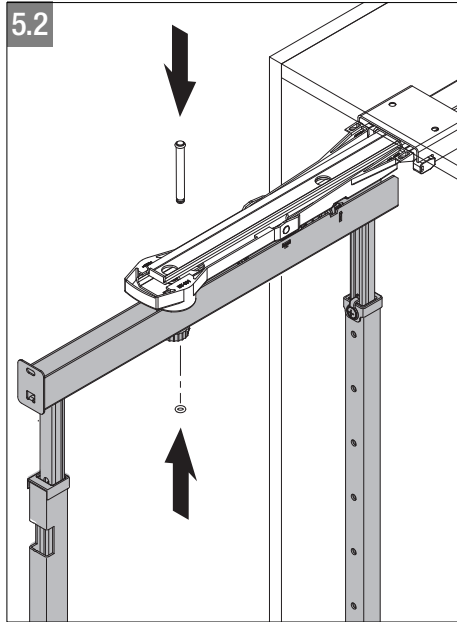
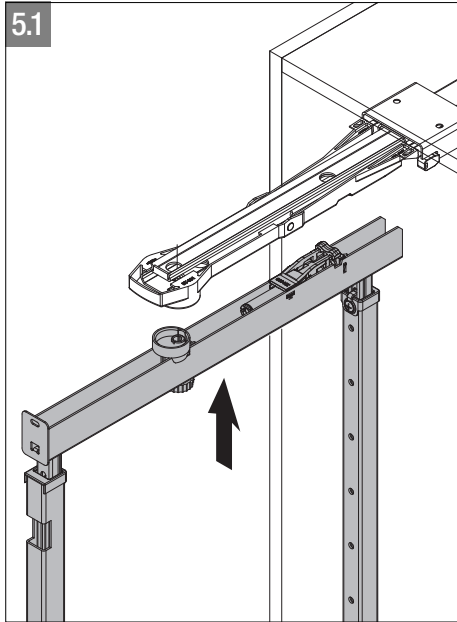


4

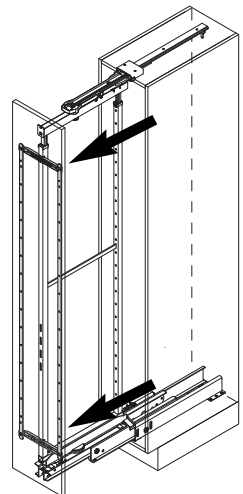
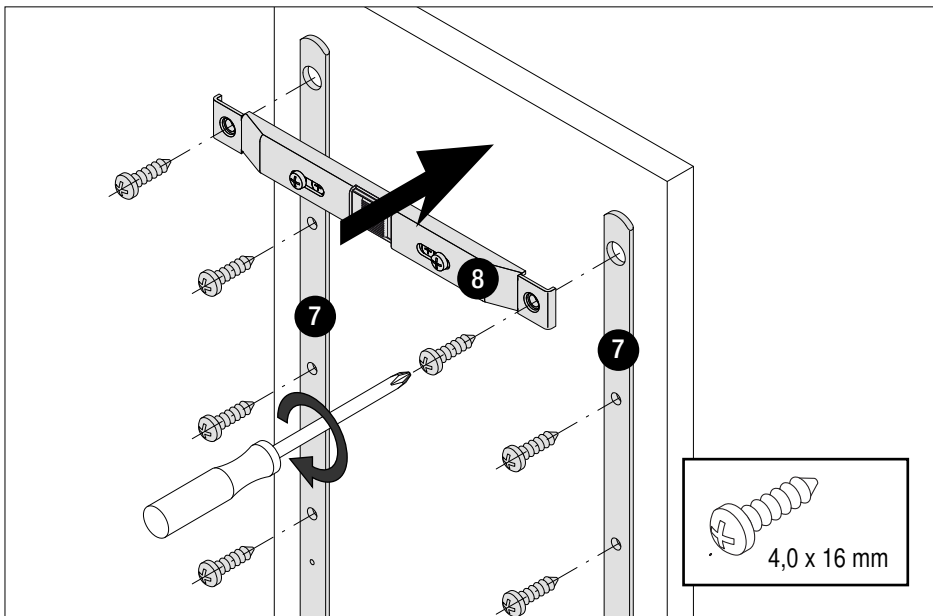




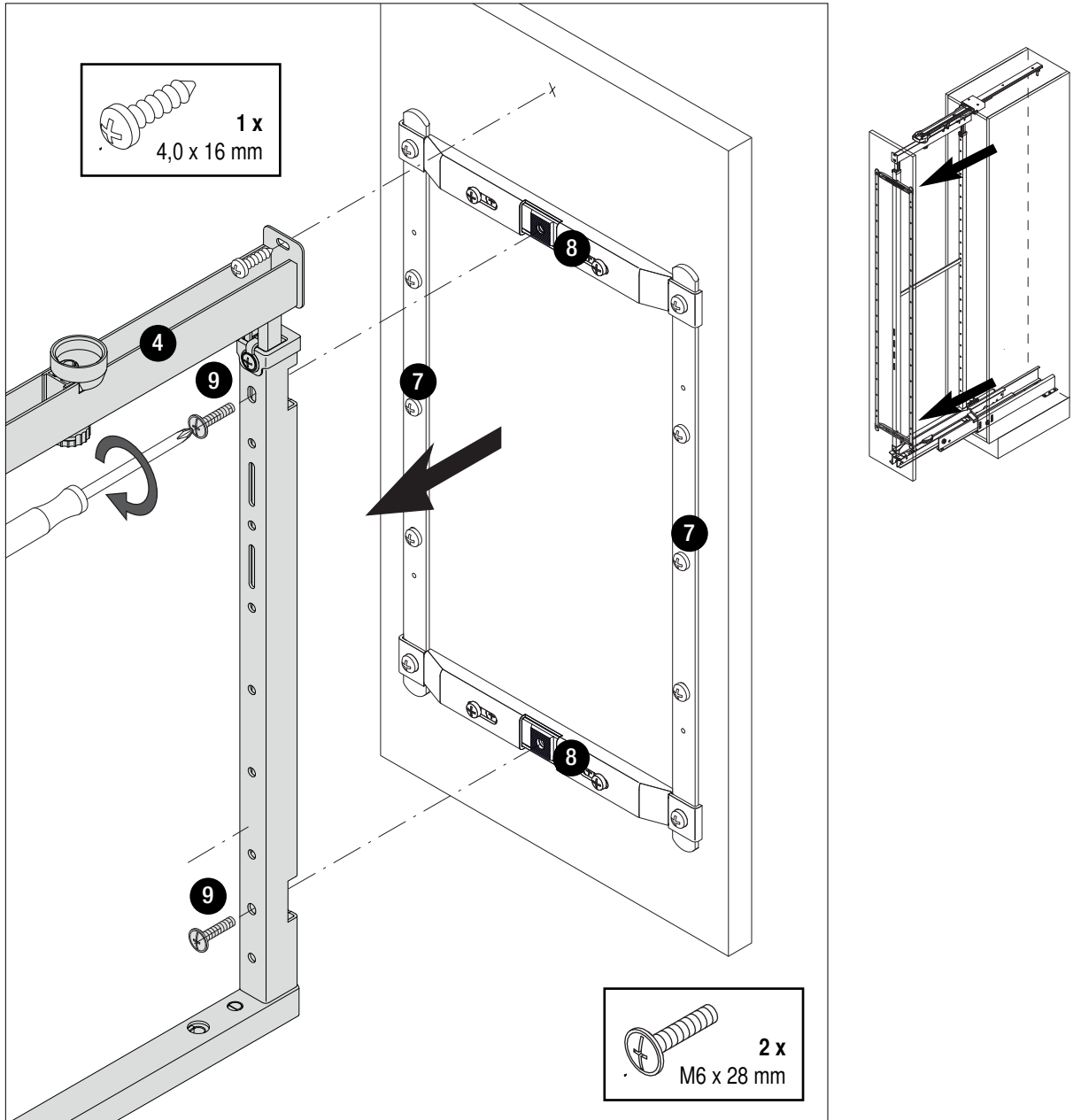
5



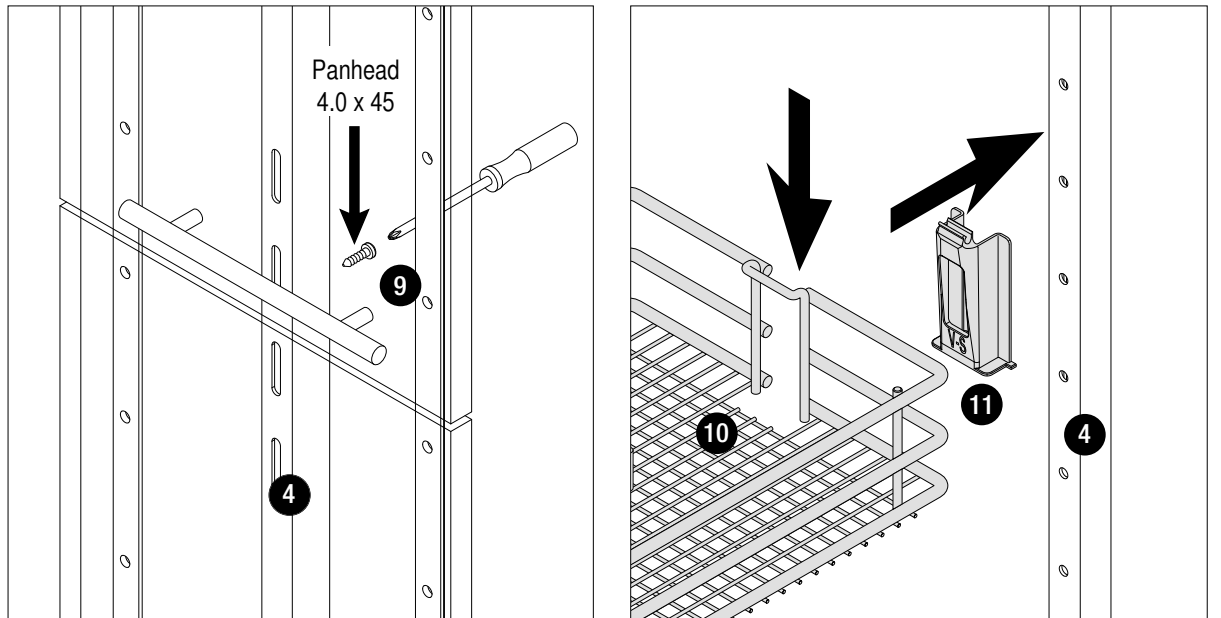
6

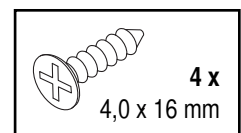
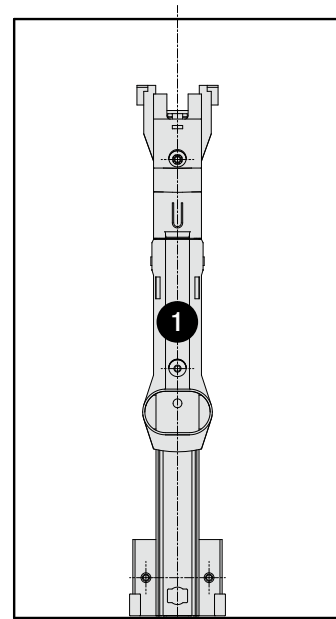
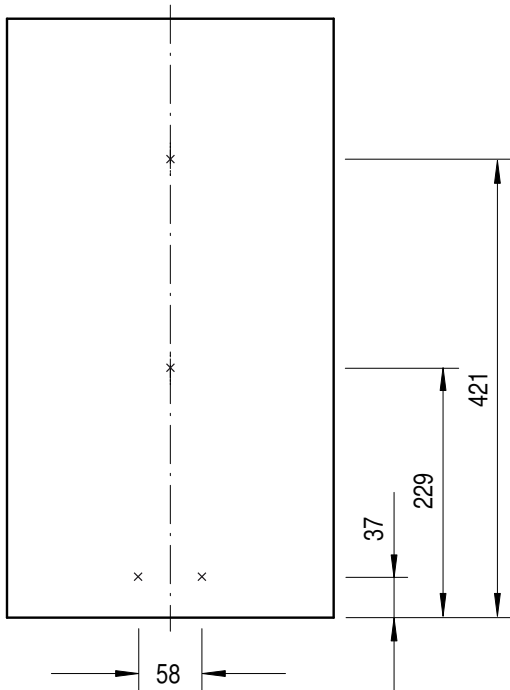
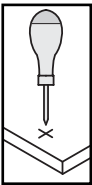
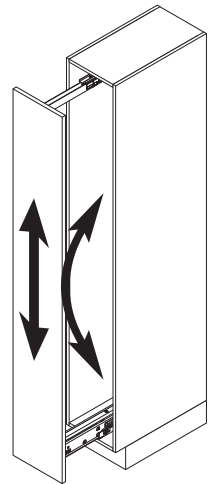
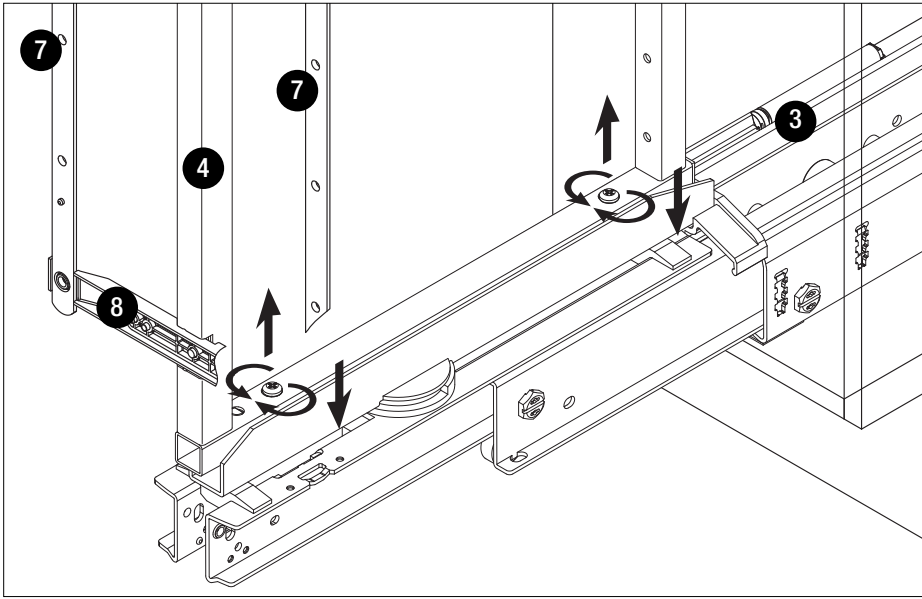
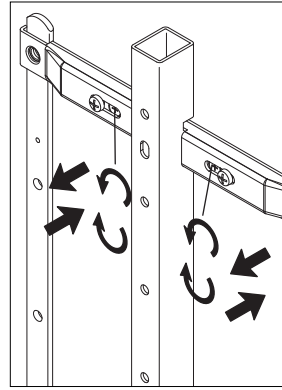
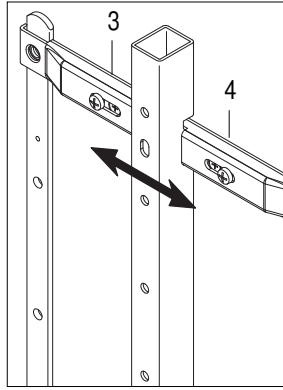
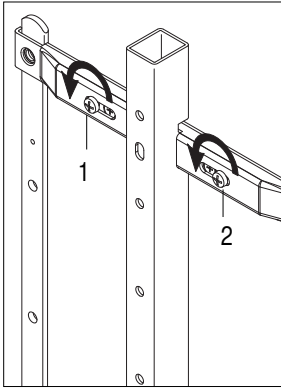


7

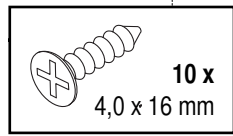
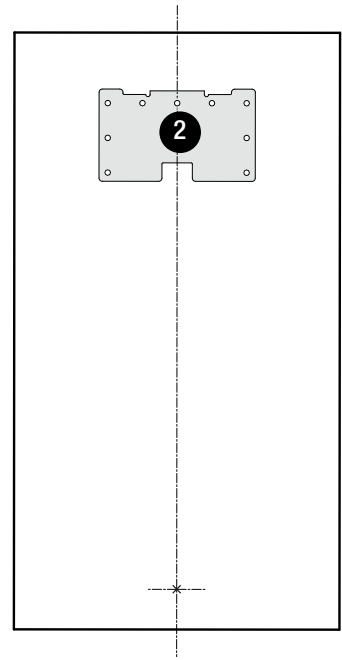
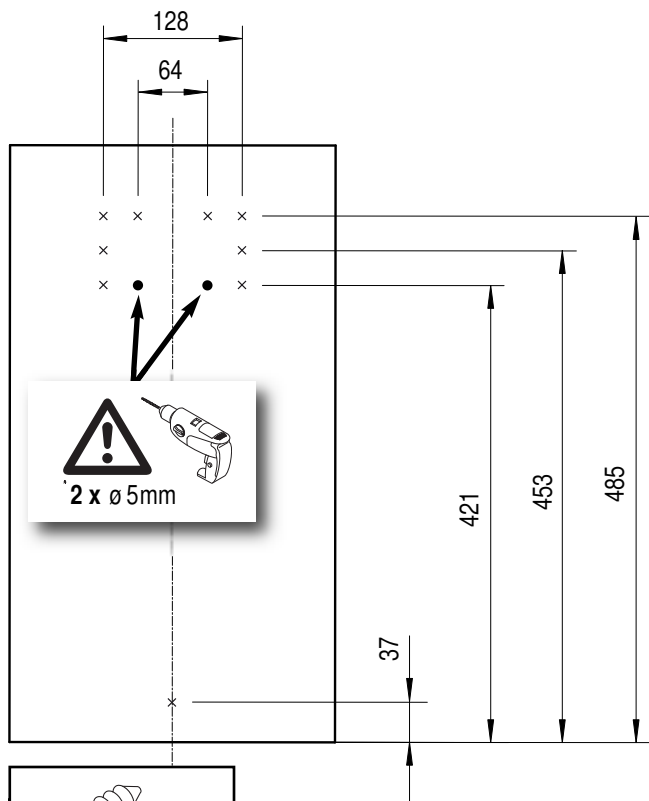
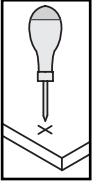


8

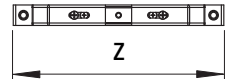
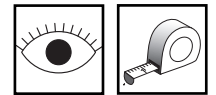
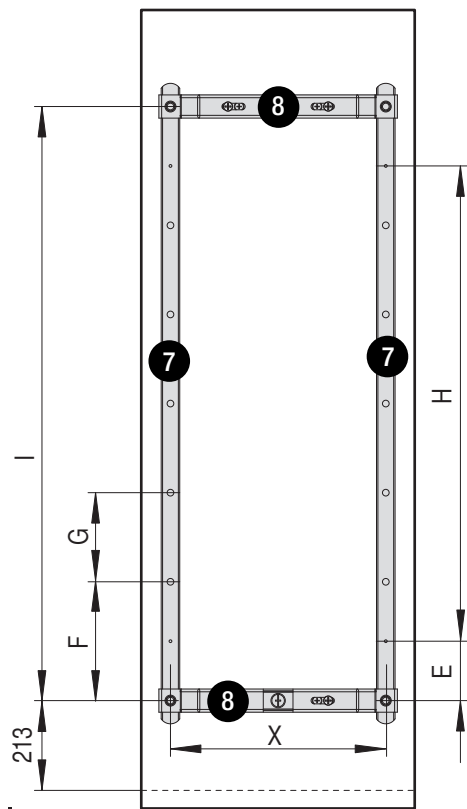
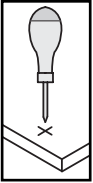




B



C



A	X	Z
300 mm	225 mm	250 mm
300 mm	232 mm	257 mm
400 mm	325 mm	350 mm



	$\varnothing 5\text{mm}$			$\varnothing 5\text{mm}$	
	E	F	G	H	I
HSA 3	64 mm	112 mm	7 x 96 mm	768 mm	896 mm
HSA 4	64 mm	96 mm	10 x 96 mm	1024 mm	1152 mm
HSA 5	64 mm	128 mm	12 x 96 mm	1280 mm	1408 mm
HSA 6	64 mm	96 mm	14 x 96 mm	1408 mm	1536 mm

